

PUMP PERFORMANCE CURVES

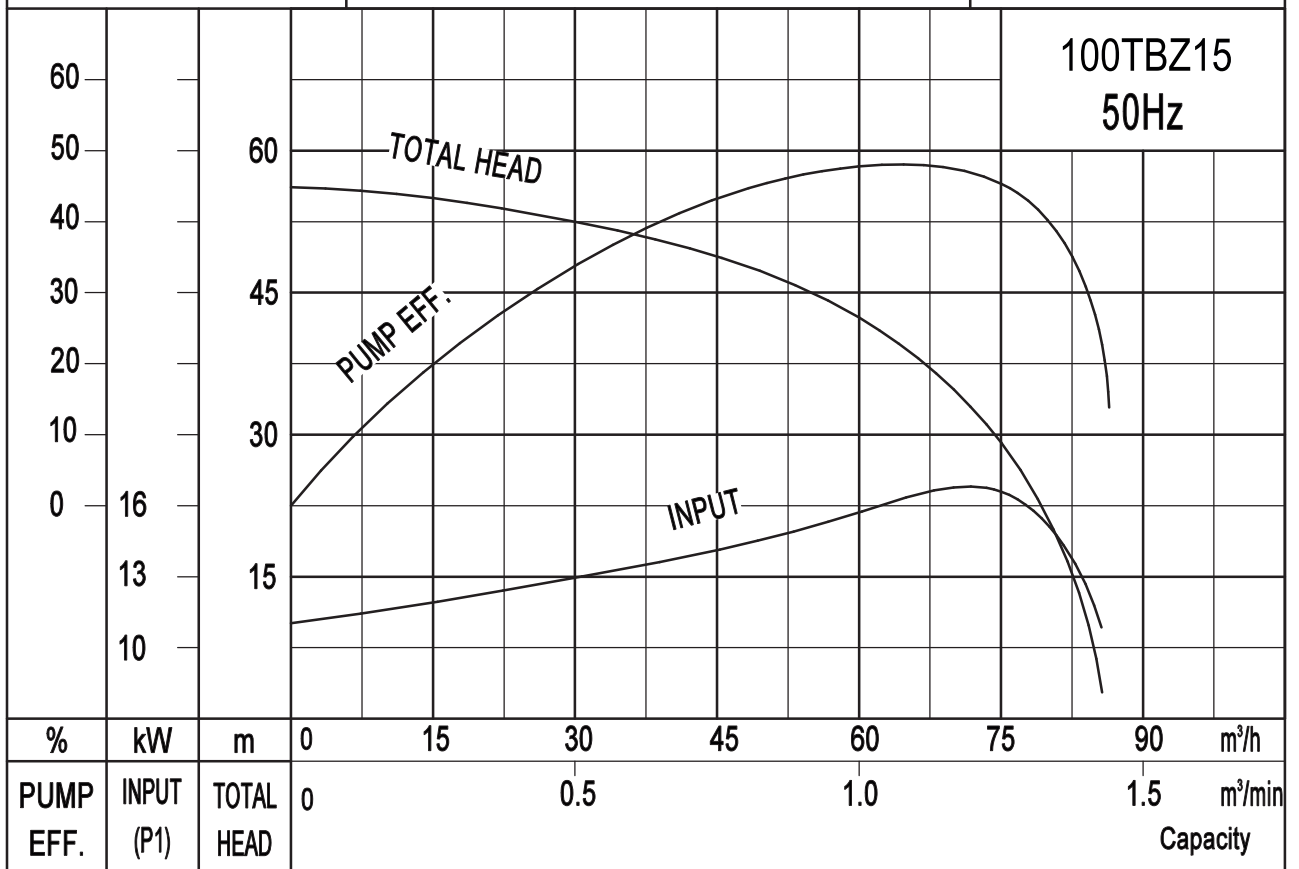
TYPE: SUBMERSIBLE CONTRACTORS' DEWATERING PUMP

MODEL: 100TBZ15

FREQUENCY: 50Hz

STANDARD SPECIFICATIONS

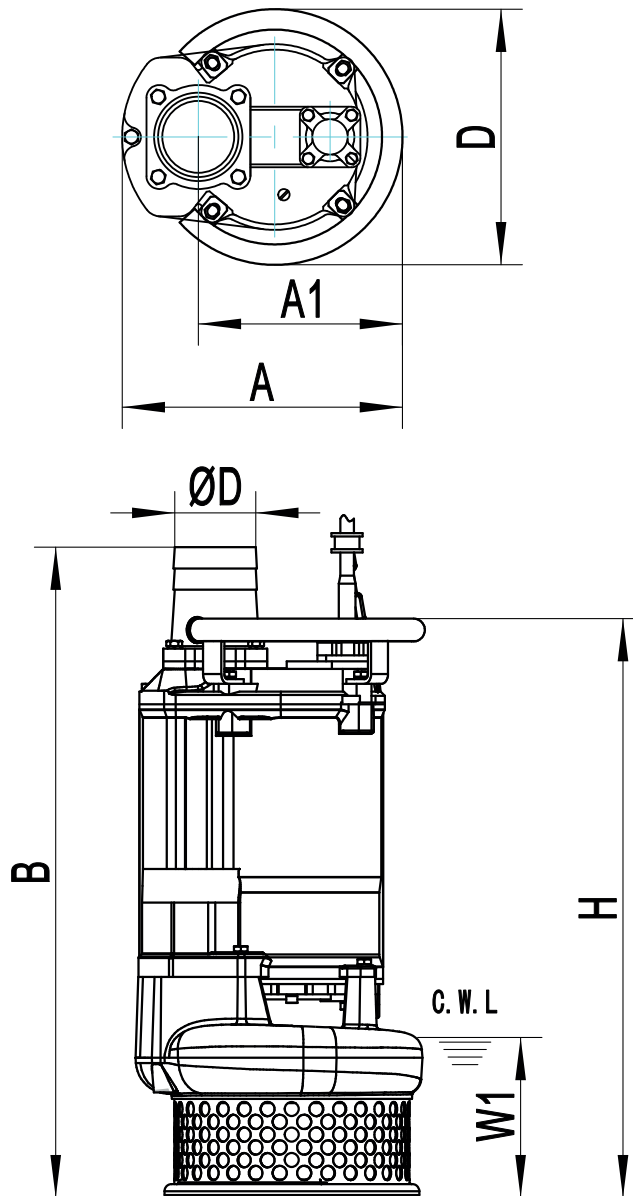
| | | |
|------------------|---------------------------------|--------------------------------|
| DISCHARGE BORE | 100 mm | |
| HEAD | Max: 56 m | Rated: 42 m |
| CAPACITY | Max: 1.40 m ³ /min | Rated: 1.0 m ³ /min |
| MOTOR OUTPUT | 15 kW | |
| PHASE x VOLTAGE | 3 Øx 400 V | |
| CURRENT | 29.5 A | |
| POLES/REVOLUTION | 2 P/ S.S.2850 min ⁻¹ | |
| STARTING METHOD | Direct-on-line start | |
| INSULATION CLASS | F | |



SOLIDPUMP EUROPE SIA

DIMENSION DRAWING

TYPE: **SUBMERSIBLE CONTRACTORS' DEWATERING PUMP** MODEL: **100TBZ15**



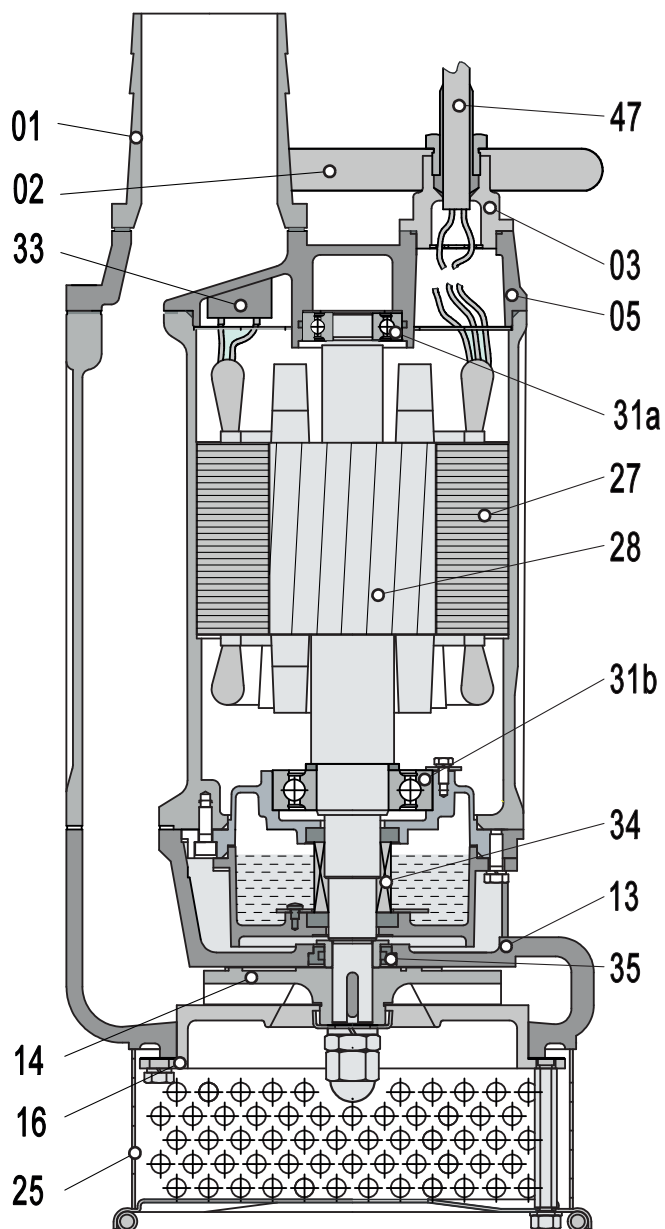
W1:Continuous running water level

| Model (50Hz) | d | A | A1 | B | D | H | W1 | N.W |
|-----------------|-----|-----|-----|-----|-----|-----|-----|-----|
| | mm | mm | mm | mm | mm | mm | mm | Kg |
| 100TBZ7.5 | 100 | 330 | 240 | 764 | 314 | 676 | 190 | 106 |
| 150TBZ7.5 | 150 | 330 | 240 | 790 | 314 | 676 | 190 | 108 |
| 100TBZ11 | 100 | 373 | 255 | 807 | 350 | 695 | 190 | 136 |
| 150TBZ11 | 150 | 373 | 255 | 807 | 350 | 695 | 190 | 139 |
| ● 100TBZ15 | 100 | 373 | 255 | 842 | 350 | 755 | 190 | 144 |
| 150TBZ15 | 150 | 373 | 255 | 842 | 350 | 755 | 190 | 146 |

DIMENSION DRAWING

TYPE: **SUBMERSIBLE CONTRACTORS' DEWATERING PUMP**

MODEL: **100TBZ15**



| Item No. | Part name | Material | Item No. | Part name | Material |
|----------|---------------|-------------------|----------|-----------------|---|
| 01 | Hose coupling | Cast iron | 28 | Rotor | Shaft: AISI420SS |
| 02 | Handle | Rubber&steel | 31a | Bearing | Ball bearing |
| 05 | Upper cover | Cast iron | 31b | Bearing | Ball bearing |
| 11 | Motor body | Cast iron | 33 | Motor protector | |
| 13 | Pump body | Cast iron | 34 | Mechanical seal | Sic-Sic/Carbon-Sic(≤2.2kW) Sic-Sic/Sic-Sic(≥3.7kW) |
| 14 | Impeller | High chrome alloy | 35 | Oil seal | |
| 16 | Inlet plate | Ductile iron | 47 | Cable | |
| 25 | Strainer | Steel | | | |
| 27 | Stator | | | | |

Specifications can be changed without notice

Solidpump Europe SIA

Uriekstes iela 14a
Rīga, LV-1005
LATVIA

Tel.: + 371 66164228
E-mail: info@solidpump.com
www.solidpump.com

SOLIDPUMP EUROPE SIA