

# PUMP PERFORMANCE CURVES

TYPE: SUBMERSIBLE CONTRACTORS' DEWATERING PUMP

MODEL: 150TBZ7.5

FREQUENCY: 50Hz

## STANDARD SPECIFICATIONS

DISCHARGE BORE

150 mm

HEAD

Max: 31 m

Rated: 15 m

CAPACITY

Max: 2.08 m<sup>3</sup>/min

Rated: 1.50 m<sup>3</sup>/min

MOTOR OUTPUT

7.5 kW

PHASE x VOLTAGE

3 Ø x 400 V

CURRENT

15 A

POLES/REVOLUTION

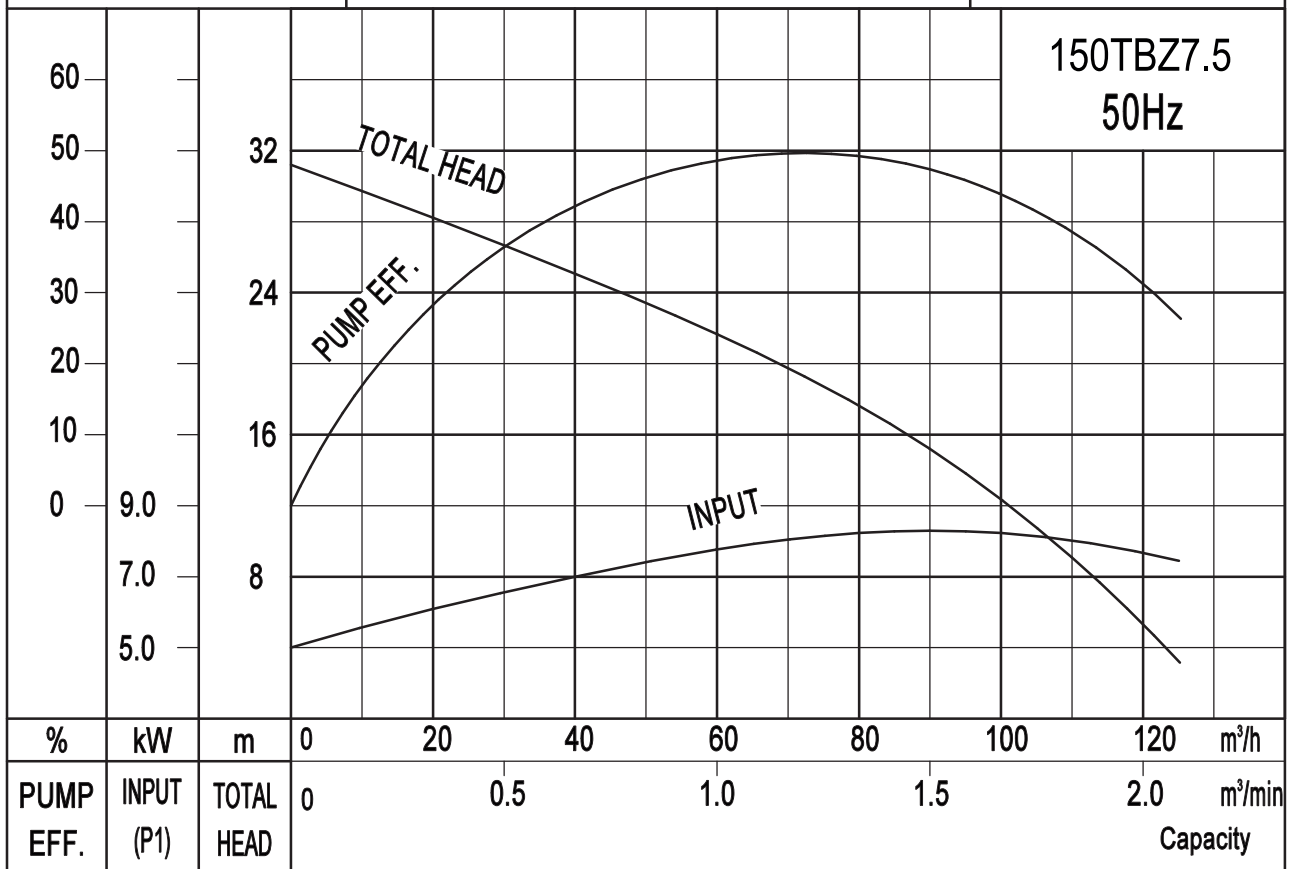
2 P/ S.S. 2850 min<sup>-1</sup>

STARTING METHOD

Direct-on-line start

INSULATION CLASS

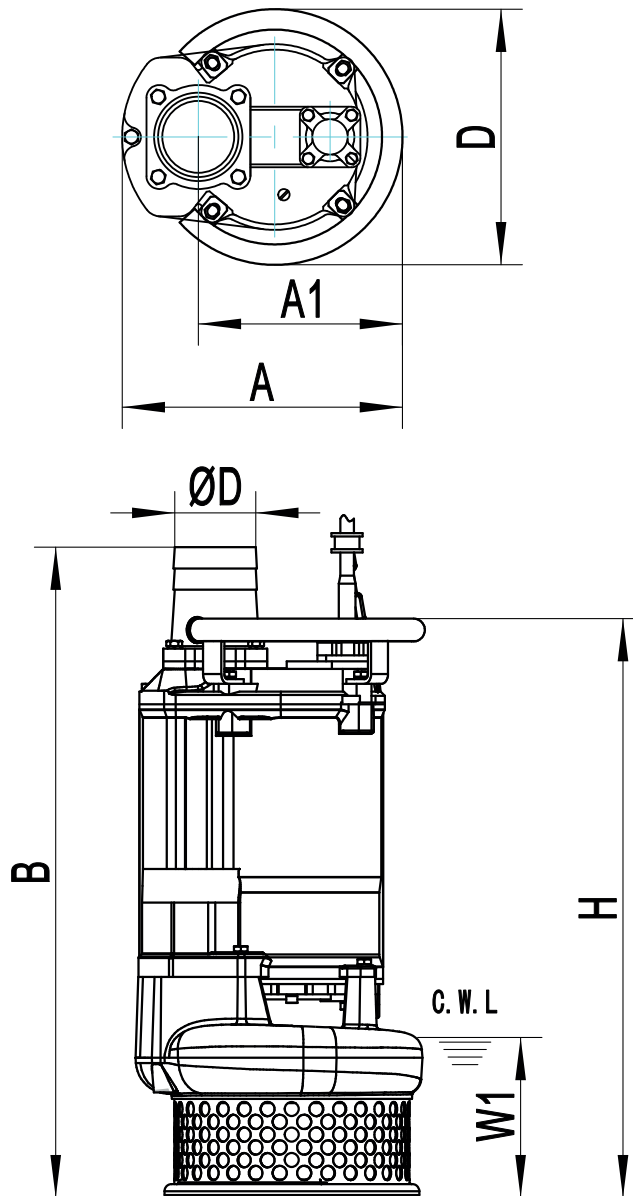
F



**SOLIDPUMP EUROPE SIA**

DIMENSION DRAWING

TYPE: **SUBMERSIBLE CONTRACTORS' DEWATERING PUMP** MODEL: **150TBZ7.5**

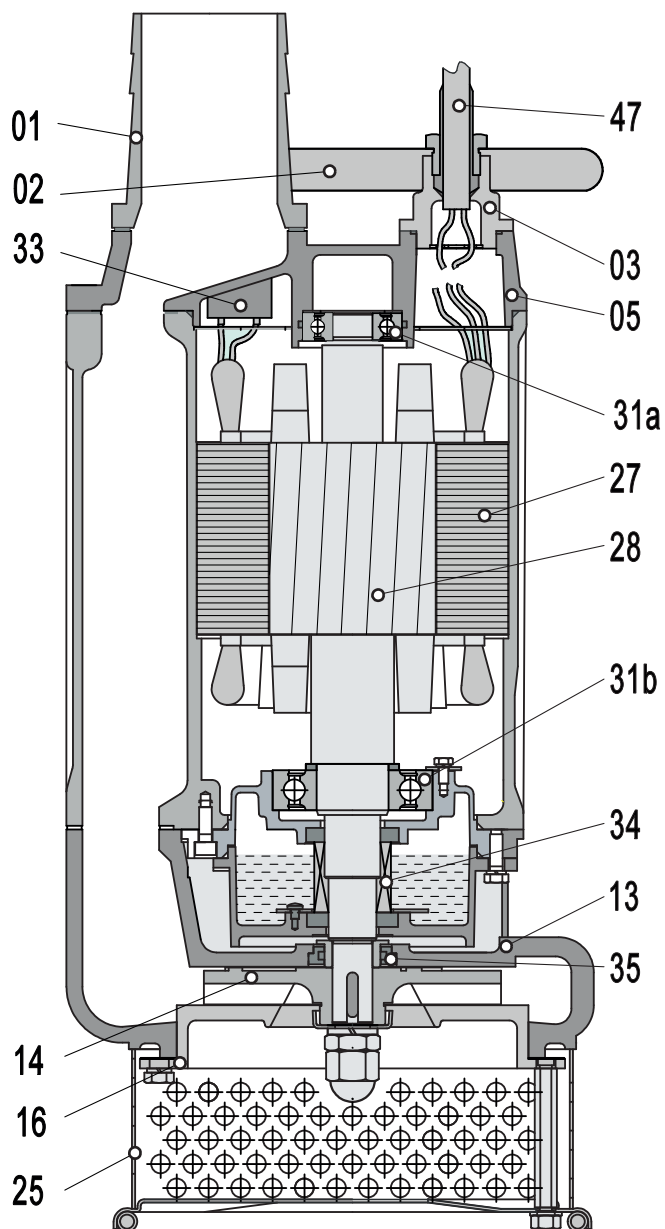


W1:Continuous running water level

Model (50Hz)	d	A	A1	B	D	H	W1	N.W
	mm	mm	mm	mm	mm	mm	mm	Kg
100TBZ7.5	100	330	240	764	314	676	190	106
● 150TBZ7.5	150	330	240	790	314	676	190	108
100TBZ11	100	373	255	807	350	695	190	136
150TBZ11	150	373	255	807	350	695	190	139
100TBZ15	100	373	255	842	350	755	190	144
150TBZ15	150	373	255	842	350	755	190	146

# DIMENSION DRAWING

TYPE: **SUBMERSIBLE CONTRACTORS' DEWATERING PUMP** MODEL: **150TBZ7.5**



Item No.	Part name	Material	Item No.	Part name	Material
01	Hose coupling	Cast iron	28	Rotor	Shaft:AISI420SS
02	Handle	Rubber&steel	31a	Bearing	Ball bearing
05	Upper cover	Cast iron	31b	Bearing	Ball bearing
11	Motor body	Cast iron	33	Motor protector	
13	Pump body	Cast iron	34	Mechanical seal	Sic-Sic/Carbon-Sic( $\leq 2.2kW$ ) Sic-Sic/Sic-Sic( $\geq 3.7kW$ )
14	Impeller	High chrome alloy	35	Oil seal	
16	Inlet plate	Ductile iron	47	Cable	
25	Strainer	Steel			
27	Stator				

*Specifications can be changed without notice*

## Solidpump Europe SIA

Uriekstes iela 14a  
Rīga, LV-1005  
LATVIA

Tel.: + 371 66164228  
E-mail: info@solidpump.com  
www.solidpump.com

**SOLIDPUMP EUROPE SIA**