

PUMP PERFORMANCE CURVES

TYPE: **SUBMERSIBLE SAND/SLURRY
AGITATOR PUMP**

MODEL: **80TBS4**

FREQUENCY: 50Hz

STANDARD SPECIFICATIONS

DISCHARGE BORE

80 mm

HEAD

Max: 14.8 m

Rated: 10 m

CAPACITY

Max: 1.4 m³/min

Rated: 1.0 m³/min

MOTOR OUTPUT

4 kW

PHASE x VOLTAGE

3 Øx 380 V

CURRENT

10.2 A

POLES/REVOLUTION

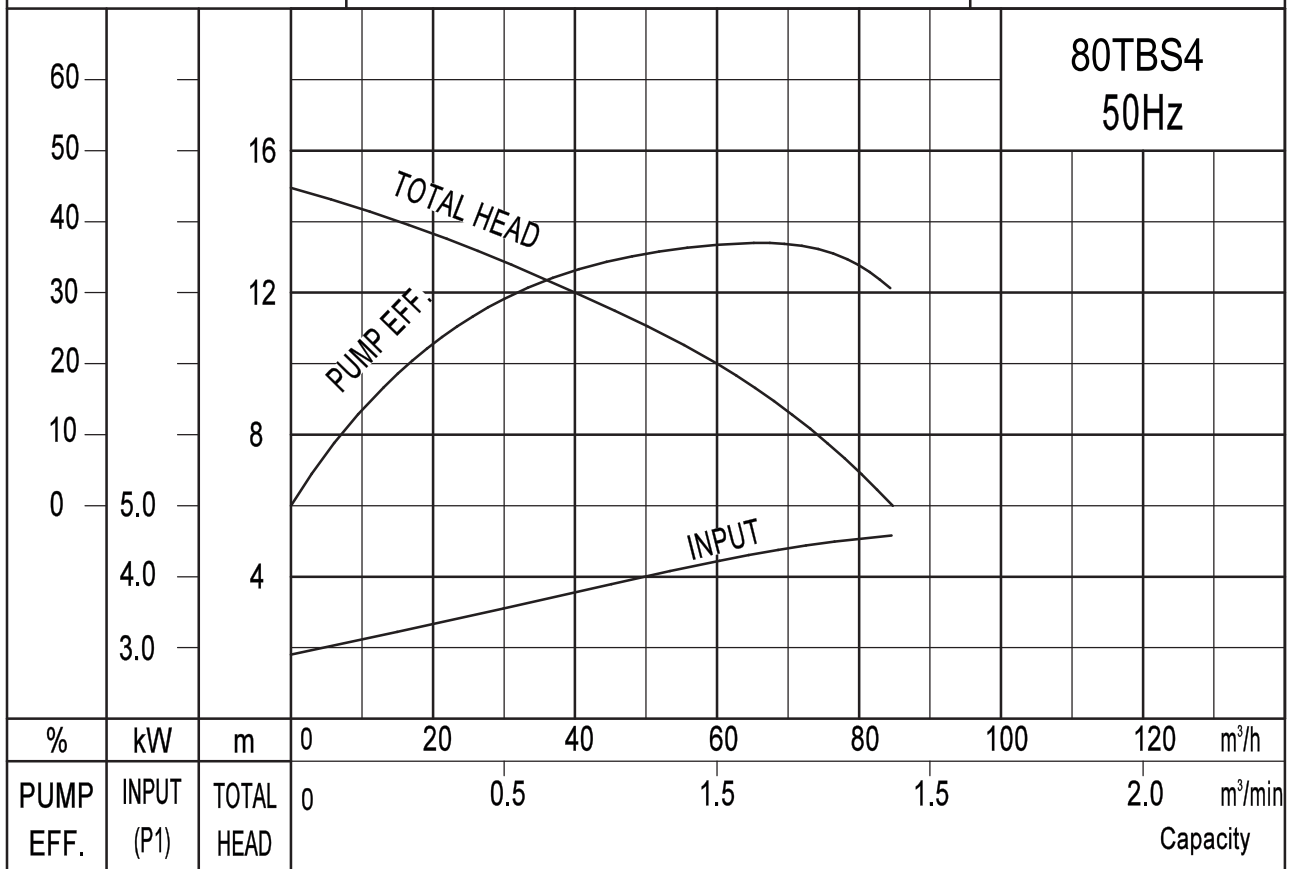
4 P/ S.S.1450 min⁻¹

STARTING METHOD

Direct-on-line start

INSULATION CLASS

F

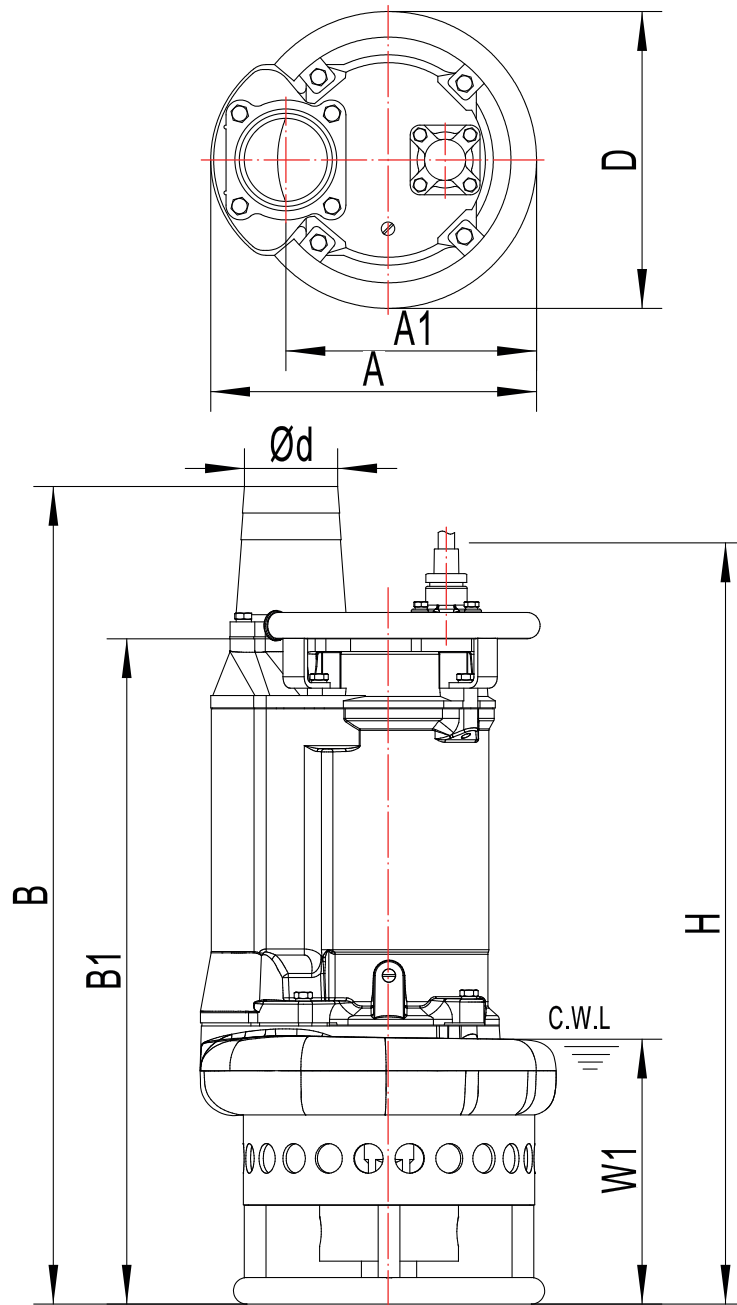


SOLIDPUMP EUROPE SIA

DIMENSION DRAWING

TYPE: **SUBMERSIBLE SAND/SLURRY AGITATOR PUMP**

MODEL: **80TBS4**



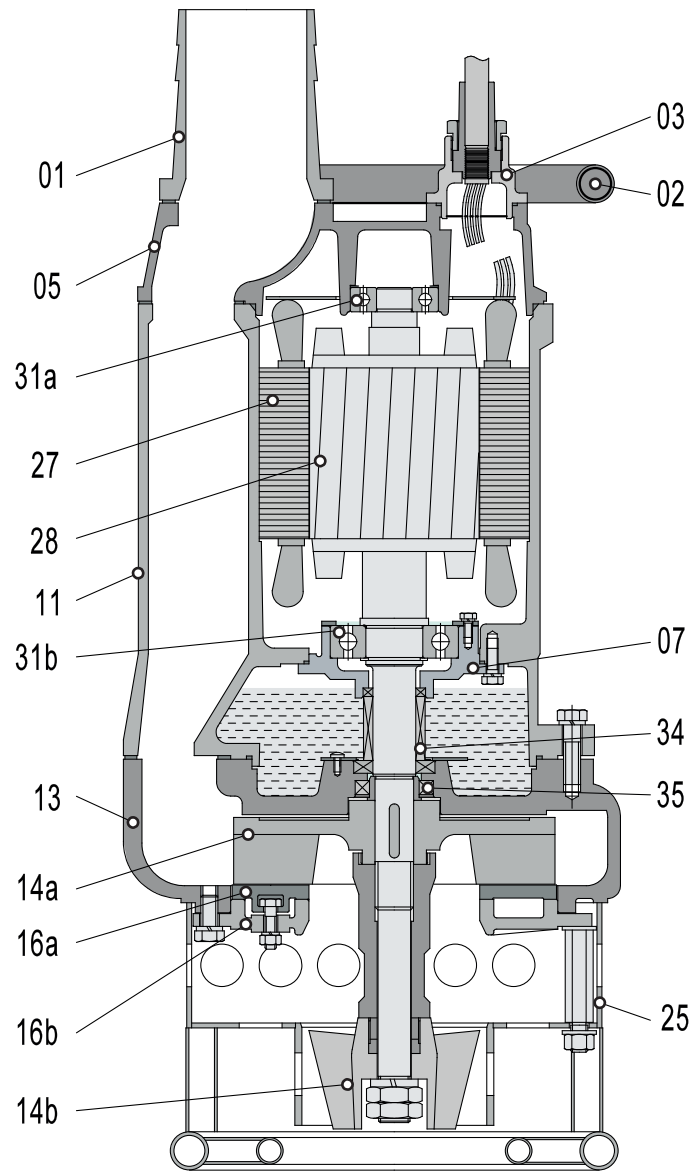
W1:Continuous running water level

Model (50Hz)	d mm	A mm	A1 mm	B mm	B1 mm	D mm	H mm	W1 mm	N.W Kg
• 80TBS4	80	350	260	816	678	326	730	250	108.5
100TBS6	100	415	305	844	682	373	730	250	141
150TBS9	150	434	324	889	727	407	776	250	171
200TBS15	200	484	352	1121	889	457	980	295	260
200TBS22	200	578	442	1245	1015	528	1200	330	408

DIMENSION DRAWING

TYPE: **SUBMERSIBLE SAND/SLURRY AGITATOR PUMP**

MODEL: **80TBS4**



Item No.	Part name	Material	Item No.	Part name	Material
01	Hose coupling	Cast iron	25	Strainer	Steel
02	Handle	Steel	27	Stator	
05	Upper cover	Cast iron	28	Rotor	Shaft:AISI420SS
07	Bearing house	Cast iron	31a	Bearing	Ball bearing
11	Motor body	Cast iron	31b	Bearing	Ball bearing
13	Pump body	Cast iron	34	Mechanical seal	Sic-Sic/Sic-Sic Tc-Sic/Sic-Sic($\geq 15kW$)
14a	Impeller	High chrome alloy	35	Oil seal	
14b	Agitator	High chrome alloy	47	Cable	
16a	Inlet plate	High chrome alloy			
16b	Inlet plate	Cast iron			

Specifications can be changed without notice

Solidpump Europe SIA

Uriekstes iela 14a
Rīga, LV-1005
LATVIA

Tel.: + 371 66164228
E-mail: info@solidpump.com
www.solidpump.com

SOLIDPUMP EUROPE SIA